



# Bakue Commerce Co.,Ltd

---

- Bakue Commerce Co.,Ltd. is one of the leading companies specializes in indoor construction and decoration products like hardware , bathroom accessories , lights , floor boards, curtains etc. which can provide the one-stop service to match the various demands of our customers worldwide.
- 
- Our head office locates at Dongguan city of Guangdong province, and our production bases located in Zhongshan, Jiangmen ,Foshan etc. cities of Guangdong. Relying on our advanced equipments, technicians, skillful workers, successful marketing and management ,Bakue brand is more and more well-known in many countries .
- 
- We can help to grow your business by offering:
  - Efficient one-stop solutions.
  - New products to cope with the changing demands of customers.
  - Customized products and services.
  - Strict quality control and prompt delivery
  - Small orders of OEM or ODM
- **Service**
- 1. One-stop product supply.
  2. One-stop project solution.
  3. New products to cope with the changing demands of customers.
  4. Customized products and services.
  5. Strict quality control and prompt delivery.
  6. Keeping very good after-sales services.

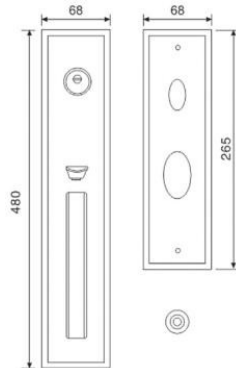
Bakue 

# Bakue Stainless Steel Series

## DdLdS0006-SS



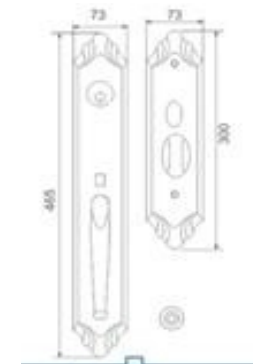
Material: SUS304  
Plate Dimension: 480\*68mm  
Door Thickness: 38-60mm  
Lock: 64\*87 American standard lock body  
Cylinder: American standard brass cylinder  
Backset: 64mm  
Central Distance: 87mm



## DdLdS0007-SS



Material: SUS304  
Plate Dimension: 465\*73mm  
Door Thickness: 38-60mm  
Lock: 64\*87 American standard lock body  
Cylinder: American standard brass cylinder  
Backset: 64mm  
Central Distance: 87mm





# Bakue Stainless Steel Series

---

## DdBbS0007-SS



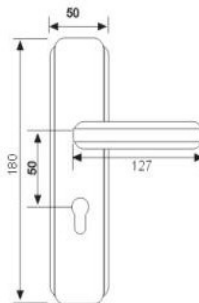
Material: SUS304  
Plate Dimension: 446\*68mm  
Door Thickness: 38-60mm  
Lock body: 64\*87 American standard lock body  
Cylinder: American standard brass cylinder  
Backset: 64mm  
Central Distance: 87mm

## DdBbS0008-SS



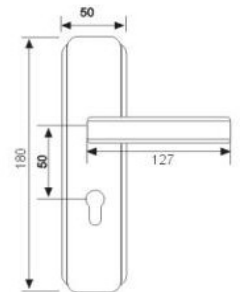
Material: SUS304  
Plate Dimension: 465\*73mm  
Door Thickness: 38-60mm  
Lock: 64\*87 American standard lock body  
Cylinder: American standard brass cylinder  
Backset: 64mm  
Central Distance: 87mm

# Bakue Stainless Steel Series



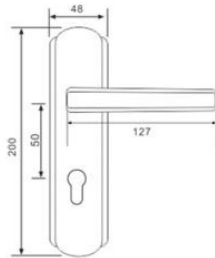
DmWbS0022-SS/SP

Material: SUS304  
Plate Dimension: 180\*50mm  
Door Thickness: 38-55mm  
Lock Body: 5050 mortise lock body  
Cylinder: Europe style brass cylinder  
Backset: 50mm  
Center Distance: 50mm



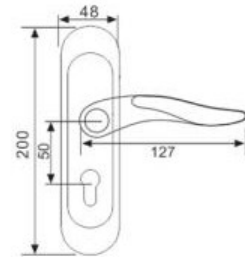
DmWbS0023-SS/SP

# Bakue Stainless Steel Series



DmLdS0015-SS/SP

Material: SUS201/304  
Plate Dimension: 200\*48mm  
Door Thickness: 38-55mm  
Lock body: 5050 mortise lock body  
Cylinder: Europe style brass cylinder  
Backset: 50mm  
Central Distance: 50mm

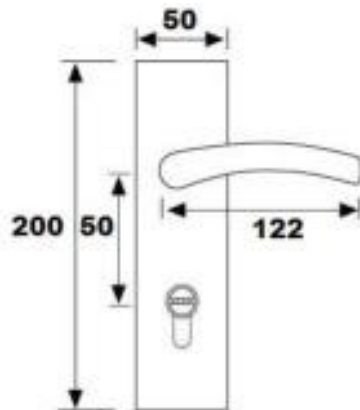


DmLdS0016-SS/SP

# Bakue Stainless Steel Series

Material: SUS304  
Plate Dimension: 200\*50mm  
Lock Body: 5050 mortise lock body  
Cylinder: Europe style brass cylinder  
Backset: 50mm  
Central Distance: 50mm

Reference Drawing:



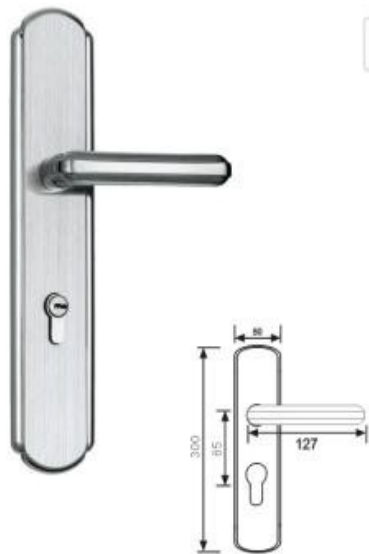
DmBbS0015-SS



DmBbS0016-SS

# Bakue Stainless Steel Series

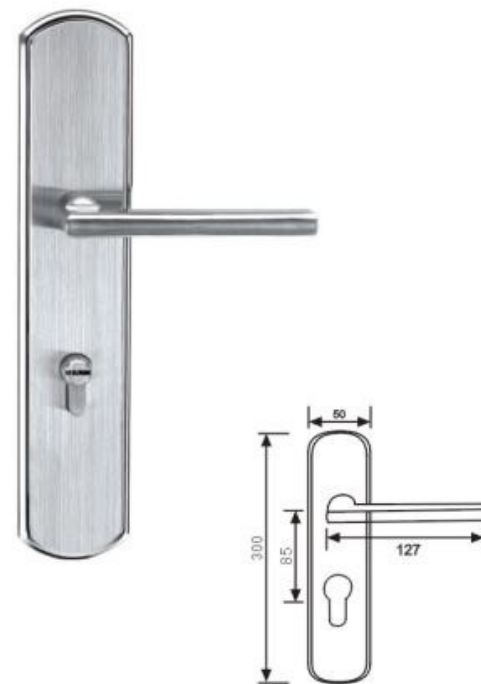
Material: SUS304  
Plate Dimension: 300\*50mm  
Lock Body: 6085 mortise lock body  
Cylinder: Europe style brass cylinder  
Backset: 60mm  
Center Distance: 85mm



DmWbS0027-SS/SP



DmWbS0025-SS/SP



DmWbS0026-SS/SP

# Bakue Stainless Steel Series

Material: SUS304

Lock Body: 7255 mortise lock body

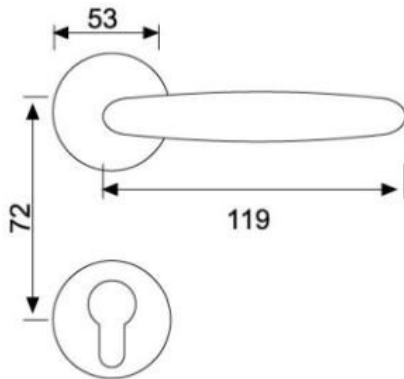
Cylinder: Europe style brass cylinder

Backset: 72mm

Central Distance: 55mm



Reference Drawing:



DmBbS0017-SS



DmBbS0018-SS

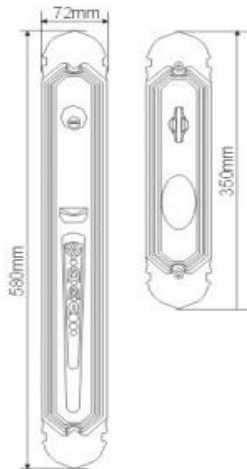


# Bakue Zinc Alloy Series

## DdWbZ0001-AB



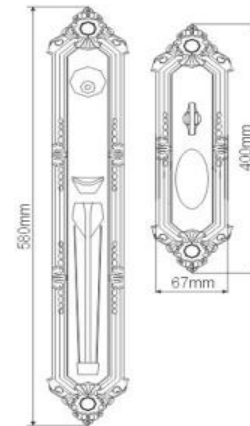
Material: Zinc Alloy  
Plate Dimension: 580\*72mm  
Door Thickness: 38-50mm  
Lock Body: 7093 American standard lock body  
Cylinder: American standard brass cylinder  
Backset: 70mm  
Central Distance: 93mm



## DdWbZ0002-AB



Material: Zinc Alloy  
Plate Dimension: 580\*72mm  
Door Thickness: 38-50mm  
Lock Body: 7093 American standard lock body  
Cylinder: American standard brass cylinder  
Backset: 70mm  
Central Distance: 93mm

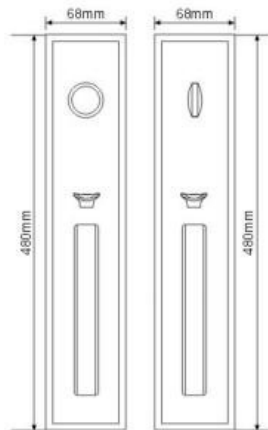


# Bakue Zinc Alloy Series

## DdWbZ0003-SN/CH



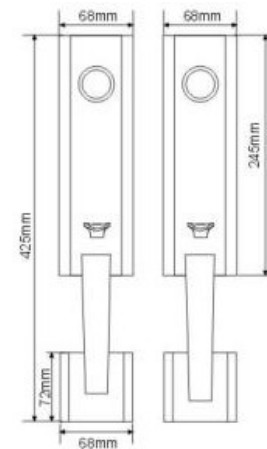
Material: Zinc Alloy  
Plate Dimension: 480\*68mm  
Door Thickness: 38-50mm  
Lock Body: 6075 mortise lock body  
Cylinder: Europe style brass cylinder  
Backset: 60mm  
Central Distance: 75mm



## DdWbZ0004-SN/CH



Material: Zinc Alloy  
Plate Dimension: 425\*68mm  
Door Thickness: 38-50mm  
Lock Body: 6075 mortise lock body  
Cylinder: Europe style brass cylinder  
Backset: 60mm  
Central Distance: 75mm





# Bakue Zinc Alloy Series

---



DdBbZ0001-AB



DdBbZ0005-AB



DdBbZ0003-AC



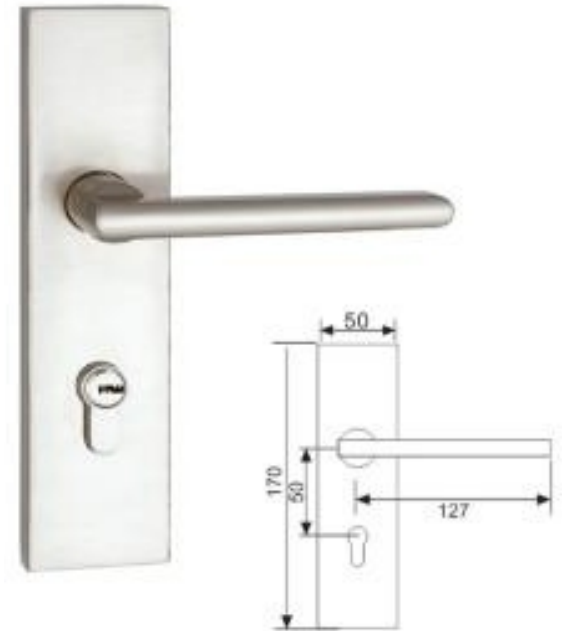
DdBbZ0002-AY

# Bakue Zinc Alloy Series



DmLdZ0009-SN/CH

Material: Zinc Alloy  
Plate Dimension: 170\*50mm  
Door Thickness: 38-55mm  
Lock Body: 5050 mortise lock body  
Cylinder: Europe style brass cylinder  
Backset: 50mm  
Central Distance: 50mm



DmLdZ0010-SN

# Bakue Zinc Alloy Series



DmWbZ0010-SN/CH



DmWbZ0011-SN/CH



DmWbZ0012-SN/CH



DmWbZ0014-SN/CH



DmWbZ0015-SN/CH



DmWbZ0013-SN/CH

# Bakue Zinc Alloy Series



DmLdZ0011-SN/CH



DmLdZ0012-SN/CH



DmLdZ0013-SN/CH



DmWbZ0017-SN/CH



DmWbZ0018-SN/CH



DmWbZ0019-SN/CH



DmWbZ0020-BN/GP

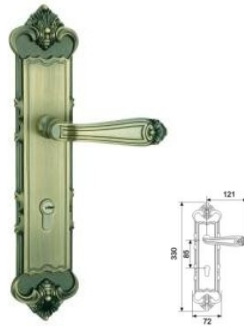


DmWbZ0021-G

# Bakue Zinc Alloy Series



DmWbZ0001-AB



DmWbZ0003-AB



DmWbZ0004-AB



DmWbZ0005-AB



DmWbZ0006-AY



DmWbZ0007-AB



DmWbZ0008-AC



DmWbZ0009-AY



# Bakue Zinc Alloy Series

---



DmWbZ0028-SN



DmWbZ0029-SN



DmWbZ0030-SN



DmWbZ0031-SN



DmBbZ0019-SN



DmBbZ0014-AB



DmBbZ0013-AC



DmBbZ0012-BN/GP





---

# Contact information

Jade Lee

Add: Room 406B, Building 5,Dazhong Pioneer Park, No. 1 , Sanhe Road,  
Dalang Town, Longhua District,Shenzhen City, China

Tel: 0086-755-21058294 21057934

Cell/ WhatsApp /Wechat: +86-186767 99965

Skype: live:1095074667

Email: [jade@bakue.com](mailto:jade@bakue.com)

Website: [www.indoorlock.com](http://www.indoorlock.com)